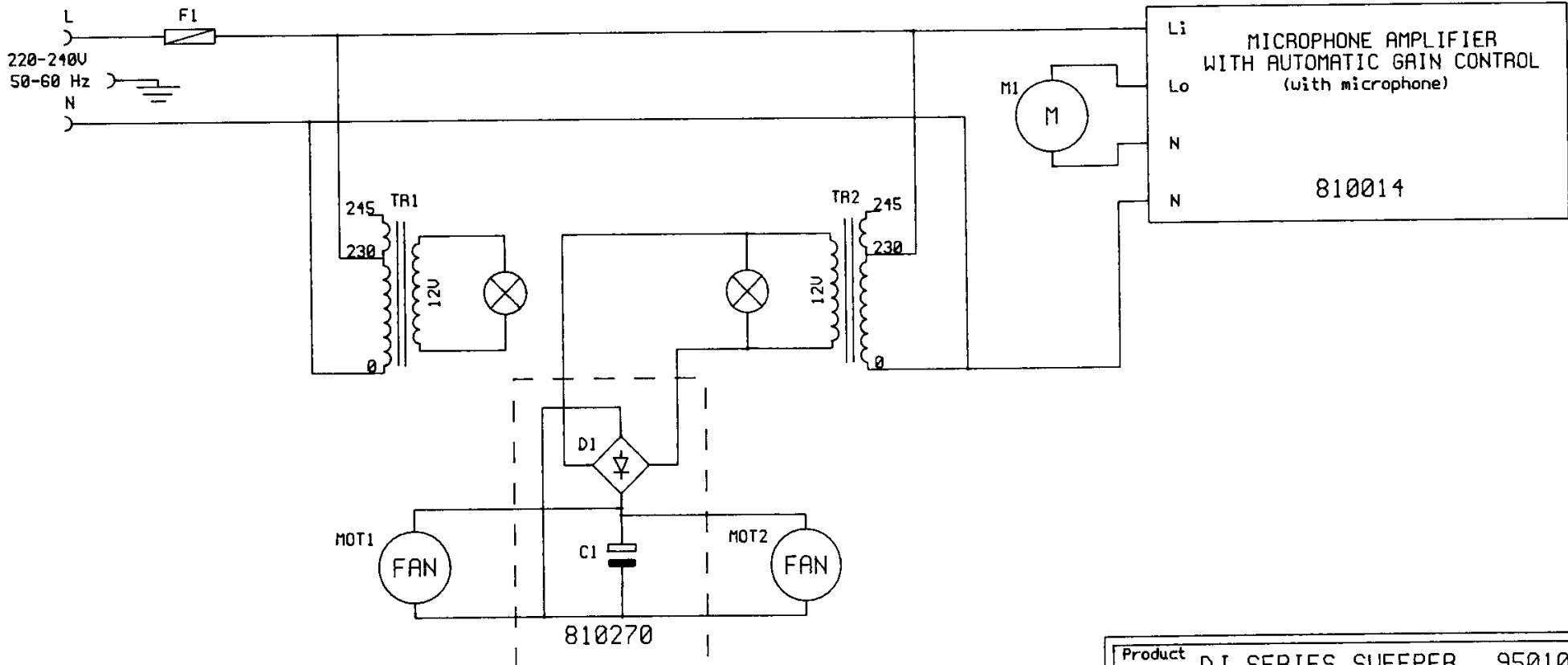
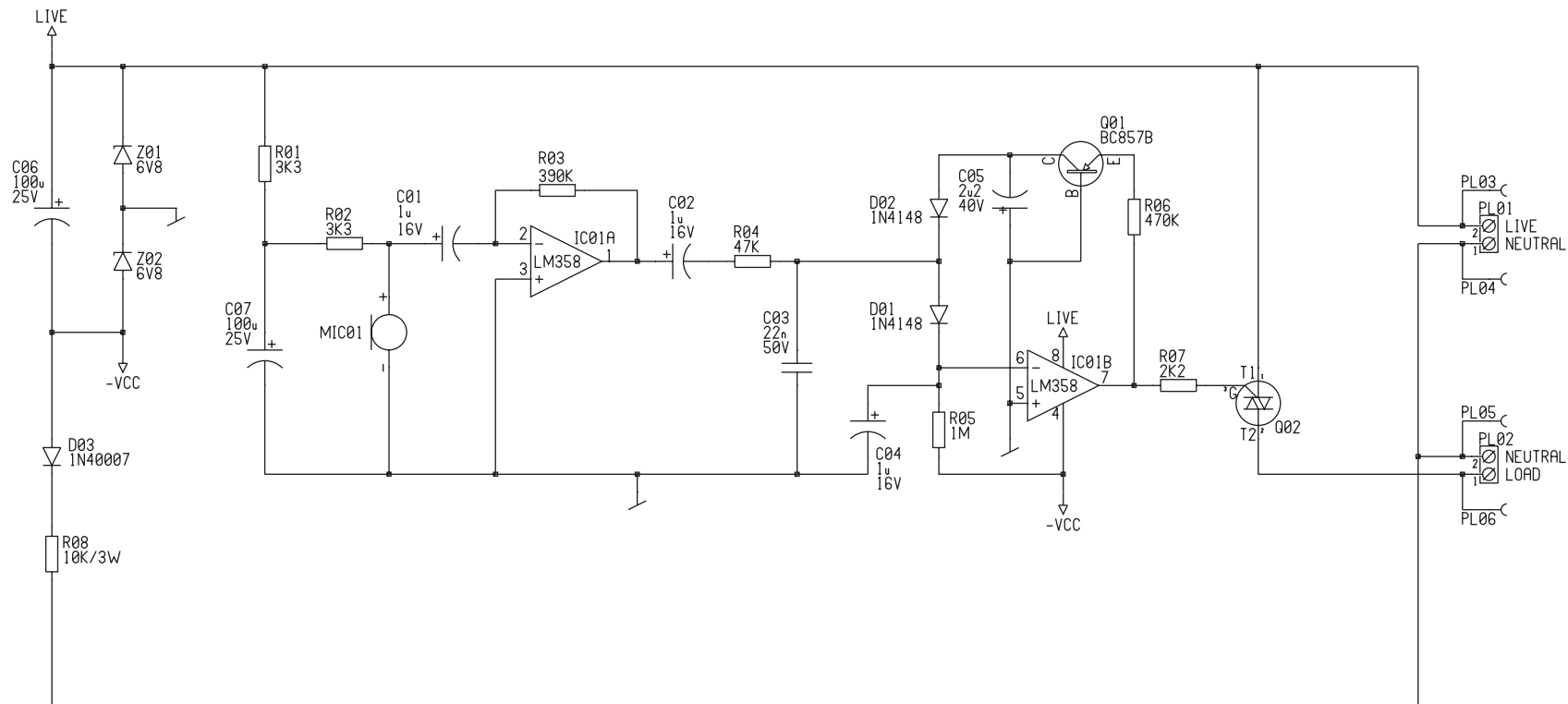


| | | | |
|-----------|----------|--|------|
| Product | | DJ SERIES SWEEPER , 950110 (100-120V) | |
| Name | | 950110.SCH | |
| Eng. | | Martin Professional | sign |
| Number | 93031501 | page | of |
| Replacing | | Replaced by | |



| | | |
|---|----------|-------------|
| Product | | |
| DJ SERIES SWEEPER, 950109 (220-240V) | | |
| Name | | |
| 950109.SCH | | |
| Eng. | | sign |
| Martin Professional | | |
| Number | 93031501 | page |
| | | of |
| Replacing | | Replaced by |



| | | | | | |
|---------|----------------------|------|----------|-------------------------|---|
| PRODUCT | PCB AUTMIC WITH MIC. | | ENG. | Martin Professional A/S | |
| | REVISION | A00 | | PAGE | 1 |
| NAME | 810015A | | DRAWN BY | PS | |
| DATE | 22/8/97 | TIME | 12:27 | | |